



Network Management Card

Part Number: F520-NMS



Overview

The NMS performs monitoring and control of the F520 chassis and modules. This management module is a multiport Ethernet Switch Router functioning as an SNMP agent and reporting to a central NMS.

Accordingly, the management module can be remotely accessed by any SNMP NMS either in-band or out-of-band in a switched or routed topology. With its Linux-based system software and state-of-the-art hardware design, the management module provides many advanced features and delivers an exceptional level of performance, including extensive setup and control of the full range of F520 products.

Features

- Advanced Optical Service Channel (OSC) protocol
 - * Fast and reliable link failover protection
 - * Point-to-point (P2P)
 - * WDM ring
 - * SFP interfaces Single-span support 40dB loss
 - * Cluster Discovery Protocol – access every shelf in a WDM cluster from any shelf without the need for a static network map or address table
- Security
 - * Linux operating system, open source advanced management methods
 - * High security management environment
 - * Multiple users can concurrently access, without compromising overall security.
 - * Support online upgrade future module upgrades are installed easily through remote firmware and programmable logic microcode downloads.
- Alarm Management
 - * The current alarm query and display
 - * Historical alarm information query and display
 - * Alarm reporting shield
 - * Alarm Display Filter
 - * Alarm acknowledgment
 - * Alarm Severity Table Management
 - * Voice alarms, e-mail alerts, SMS alerts
 - * Mobile Client Management



- Multiple management mode
 - * SNMPv1, SNMPv2, Web, Telnet Etc. secure remote in-band management mode
 - * Out-of-band CLI management
- Graphical User Interface (GUI) management
 - * Complete Java-based embedded management GUI
 - * Fully graphical interface management
 - * Realistic simulation of the actual network topology of the whole network, real-time reflection of the whole network running, the whole network running at a glance
 - * Device panel view, the view interfaces, LED lights, and other information with the device actually, consistent view of the panel, easy management, device status at a glance.
 - * Supports manual and automatic topology discovery topology rendering, and can be modified topology attribute
 - * Support electronic map downloads
- Multiple front panel ports for management access
 - * One RS-232 port provides local out-of-band serial access
 - * Four 10/100Base-TX management interface port with auto negotiation and auto MDI/MDIX – easy integration into existing Ethernet networks, provide in-band access remotely from any network workstation.
 - * Four 100Base-FX SFP-based interfaces – easy integration into ‘gray’ or CWDM/DWDM optical networks, able to direct East-West WDM ring OSC, provide in-band access remotely from any network workstation.
- Extensive management features
 - * F520 chassis, module, and port management
 - * Secure end-to-end network management
 - * Installed module types, Link status, Optical performance monitoring (including OSNR monitoring)
 - * Fully supports Digital Diagnostics information
 - * Monitors the devices’ operating temperature, power supply status, fan status
 - * Remote laser shutoff and remote module reset
 - * Enables loop-back functionality for troubleshooting
 - * Configuration of data rate and wavelength selection as well as other module specific parameter settings.
 - * SNMP traps Settings,
 - * Syslog – automatic logging of system events
 - * Editable ASCII configuration files – easily create, edit and save configuration settings
 - * System configuration WEB upload and download – save configurations on remote servers for easy retrieval and restoration
 - * Remote configuration and software maintenance
 - System configuration WEB upload/download with easy- to-use editable ASCII configuration files

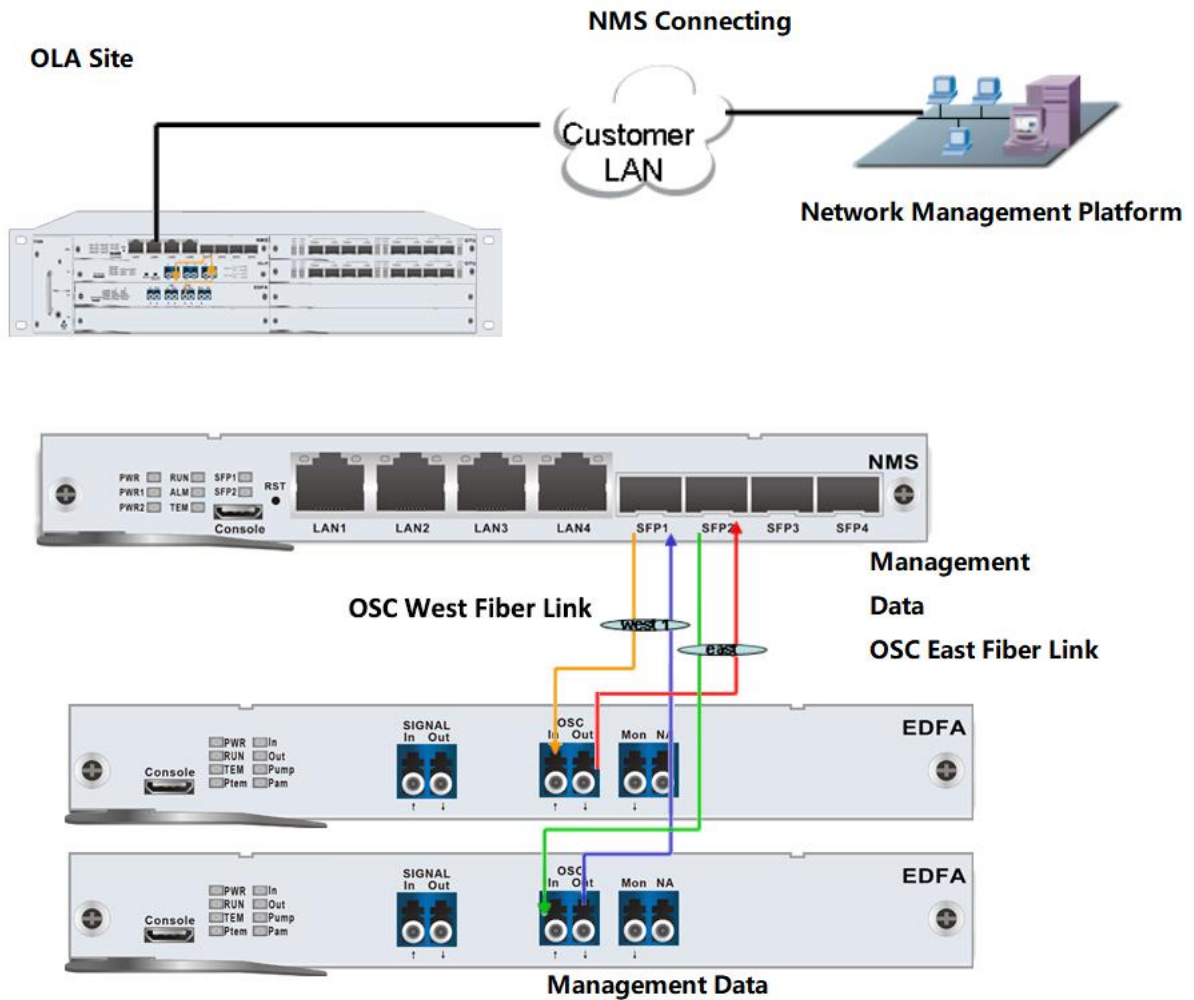


Specification

Parameter		Technical indicators
Management mode		SNMP/Web/Telnet/ console Topology management, graphical management interface, CLI management
Management access		1x RS-232 4x 10/100Base-TX 4x100Base-FX SFP/ VOA SFP
Management features		Fault Management Performance Management Security Management Configuration Management Event Management Log Management Alarm Management Topology management User Management
Size (mm)		191(W) x 253(D) x 20(H)
Environment	Operating Temperature	-10~ 60 °C
	Storage Temperature	-40 ~ 80 °C
	Relative Humidity	5 ~ 95 RH%
Power Consumption		≤15W



Application Scheme



Ordering Information

Part No.	Description	Ports
NMS	Network Management Module for CH04, CH08, CH 20 Linux-based system interface.	1x RS-232 4x RJ45 4x SFP